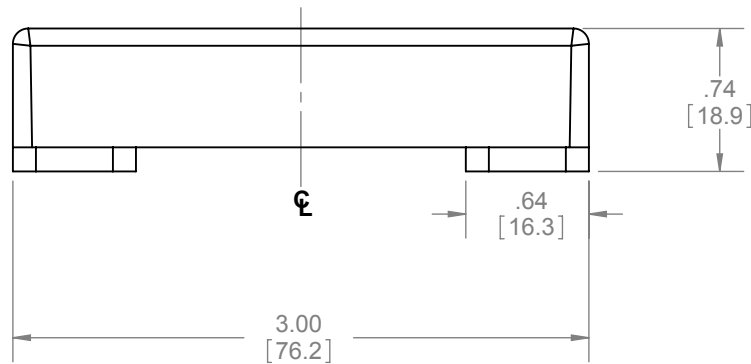
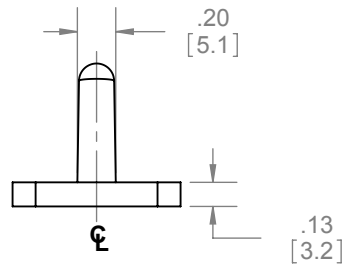
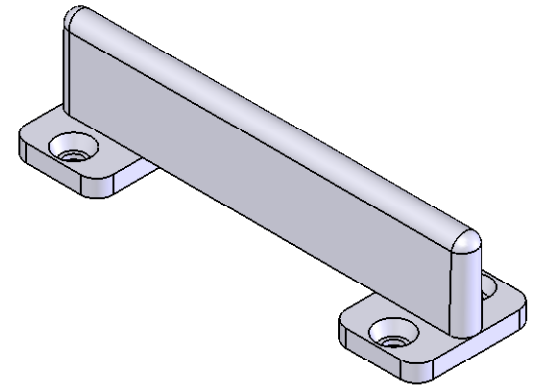
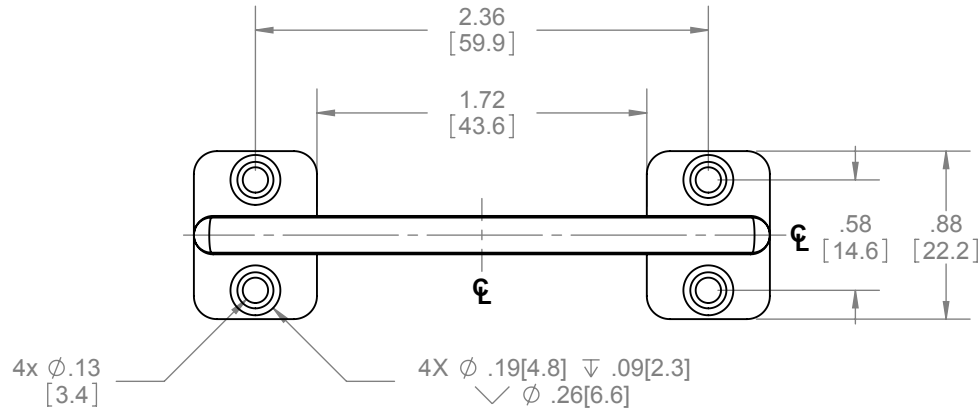


REV.	DESCRIPTION	ECO NO.	DATE
01	NEW DRAWING FOR WEB		3/20/2008




NOTES:

- DOOR BOTTOM PREP REQUIRES 1/4" (6.4mm) WIDE KERF AND 9/16" (14mm) DEPTH

HARDWARE INCLUDED:

- 4 #6-32 x 3/4" CROSS FLAT COUNTERSUNK SCREW

 <p>PROPRIETARY & CONFIDENTIAL THE INFORMATION CONTAINED IN THIS DRAWING IS THE SOLE PROPERTY OF HAGER COMPANIES. ANY REPRODUCTION IN PART OR AS A WHOLE WITHOUT THE WRITTEN PERMISSION OF HAGER COMPANIES IS PROHIBITED.</p>	<p>HAGER RESERVES THE RIGHT TO MAKE DESIGN CHANGES WITHOUT NOTICE. CALL HAGER ENGINEERING AT 1-800-325-9995 FOR THE LATEST REVISION DATE OF TEMPLATE.</p>	DRAWN	NJANSEN	2/18/2008	<p>9115 BOTTOM GUIDE</p>				
		ENG. APPR.	M MCRAE	3/20/2008					
		MATERIAL	DIE CAST ZINC ALUMINUM ALLOY			Q.A.	<p>TOLERANCES: FRACTIONAL: \pm0.015" ANGULAR: MACH: \pm 1° BEND: \pm1° TWO PLACE DECIMAL: \pm0.01" THREE PLACE DECIMAL: \pm0.004"</p>		
		FINISH	CLEAR			SIZE			
DO NOT SCALE DRAWING					A	S-SD00068	01		
					SCALE: 1:1	WEIGHT: 0.04	SHEET 1 OF 1		